

ELEC. COMBINATION LOCK "DAVE"

ELEC. COMBINATION LOCK "DAVE"

Application:

Suitable for metal or wood lockers, wardrobes, drawers or cabinets

Accessories for 1 lock:

- 1 zamak housing w/turning knob - 93 x 25 x 9,1 mm
- 1 zamak cylinder \varnothing 16,5 x 25 mm
- 1 L-shaped steel striking plate
- 1 steel cam plate ce: 32mm
- 1 spike washer
- 1 zamak fixing hex nut
- 1 needle for battery exchange

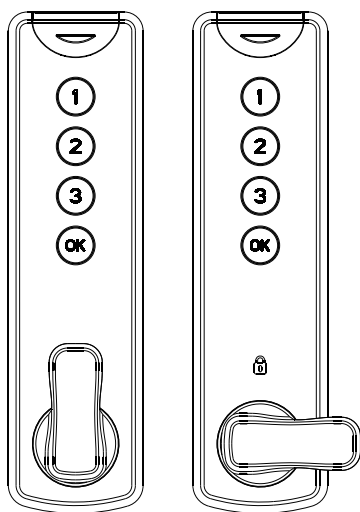
Item No.:

- Public – Silver # 14.60.396
- Public – Black # 14.60.397
- Private – Silver # 14.60.398
- Private – Black # 14.60.399

Specifications:

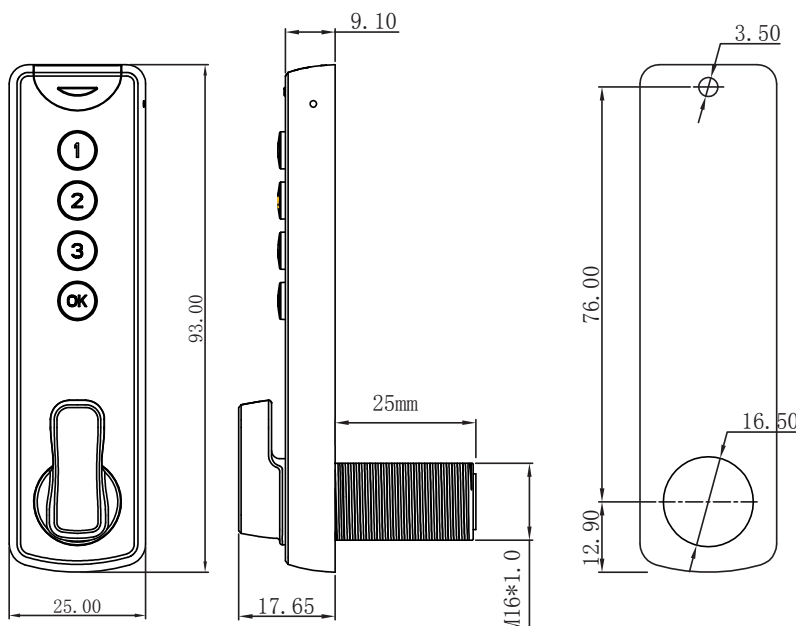
- 90° turn
- Master code function
- Vertical installation
- Touch keypad – 3-figure code needed
- Power by button-cell battery CR1220 (NOT included)
- Working temperature: - 5° - + 50° Celsius
- Working humidity: 20 – 80 %
- Available as public or private version.

Detailed user-guide on www.siso.dk



LOCKED

UNLOCKED



SISO A/S